



# VAN3HH70QT/PC



JOB NAME: \_\_\_\_\_  
 DATE: \_\_\_\_\_  
 TYPE: \_\_\_\_\_

## DESCRIPTION

Medium size ceiling mount fixture: 35, 50 and 70 watt HPS, 50 and 70 watt Metal Halide. Housing is die cast aluminum with clear vandalproof polycarbonate refractor. Quartz Restrike models available. Lamps supplied.

## SPECIFICATIONS

### Conduit Entry:

1/2"

### HID Quartz restrike:

Add suffix "/QR" to Van3 (50w restrike) or Van5 (100w restrike) for HOT restrike. Provides immediate illumination in case of momentary power failure

### Housings:

Die cast aluminum with powder coat bronze or white finish

### Reflectors / Backplate:

Heavy gauge cold rolled steel with high reflectance baked white enamel

### Refractor:

Injection molded polycarbonate, designed for maximum structural strength

### Screws:

Tamperproof center pin Torx-head and slotted Phillips head stainless steel screws provided. Be sure to order your Torx screwdriver (Catalog # VANDRIVER)

### Sockets:

Medium base 4kv Pulse Rated Glazed

### Wiring:

Suitable for wet locations. Fixtures can be wired with 90° C supply wiring if supply wires are routed 3" away from ballast.

### EISA 2007 Compliant

This product complies with the new law for metal halide ballast efficiency. This law goes into effect January 1st, 2008

### Patents:

RAB sensor and fixture designs are protected under U.S. and International Intellectual Property laws.

### Photocontrol:

Button Photocontrol installed and wired for 120V

### Quad Tap:

Fixture works with 120, 208, 240, and 277 volts

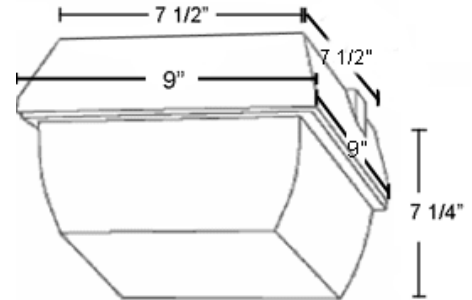
### Color:

Bronze

### Weight:

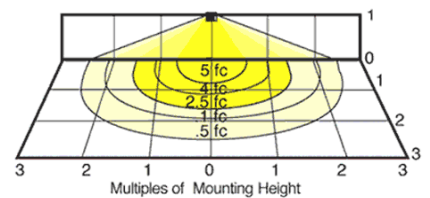
11.58

## DIMENSIONS



## PHOTOMETRIC

70w HPS @ 8' Mounting Height



Mounting Height	Multiplier	Multiplier		
		Watts	HPS	MH CFL
8'	1.0	26		.3
9'	.8	32		.4
10'	.7	42		.5
12'	.4	35	.4	
14'	.3	50	.6	.5
		70	1.0	.9

## ORDERING INFORMATION

Metal Halide Lamp supplied with fixture	Total Watts	Lamp Type	Lamp Base	Ballast	Starting Amps/ Operating Amps				Input Watts	LAMP ANSI	Initial Lumens	Lamp Hours
					120V	208V	240V	277V				
	70	ED17	Medium	HX-HPF QT	.7/.8	.4/.45	.35/.4	.3/.35	90	M98	5600	15000

**Factory Installed Options**  
 Add suffix to Catalog Number

Swivel Photocontrol (/PCS)  
 Quartz Restrike (HPS & MH only) (/QR)

Mini Motion Sensor (/MS)  
 Button Photocontrol (/PC)

Note: Specifications may change without notice